
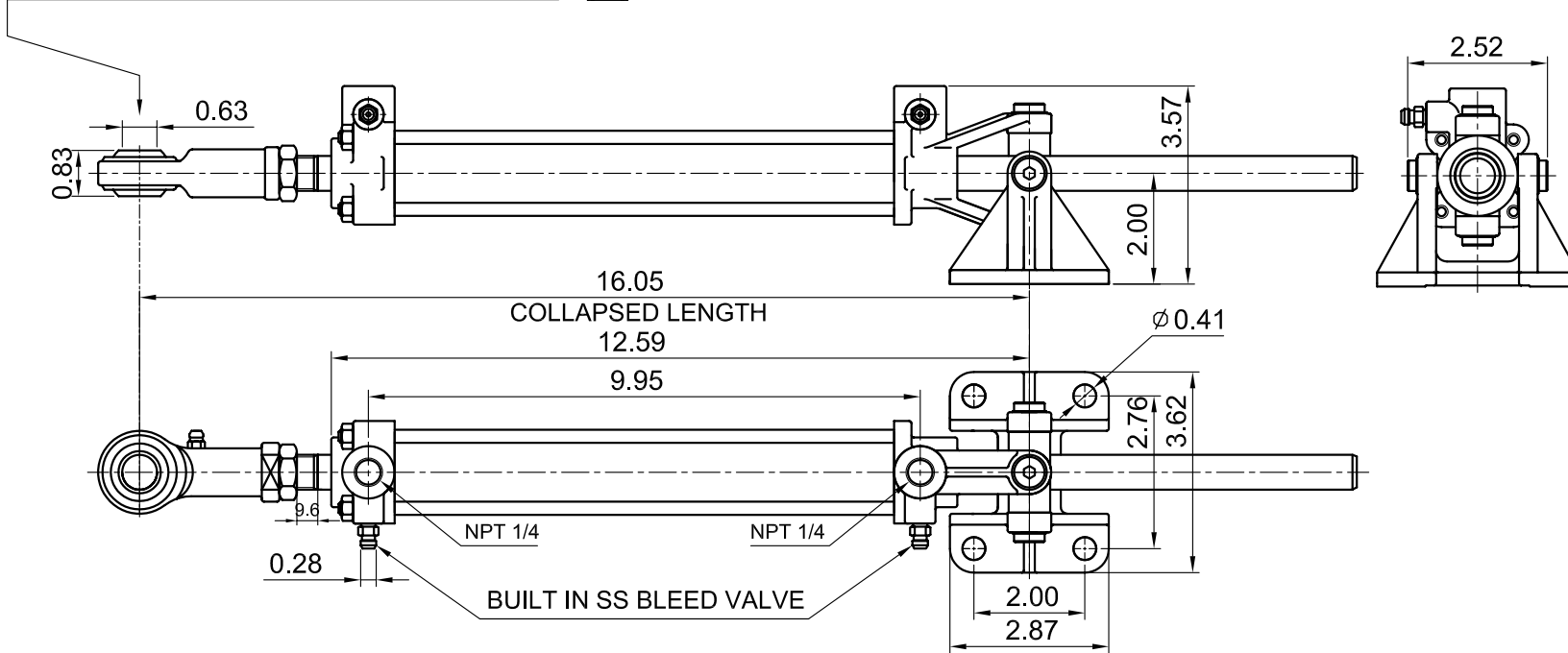
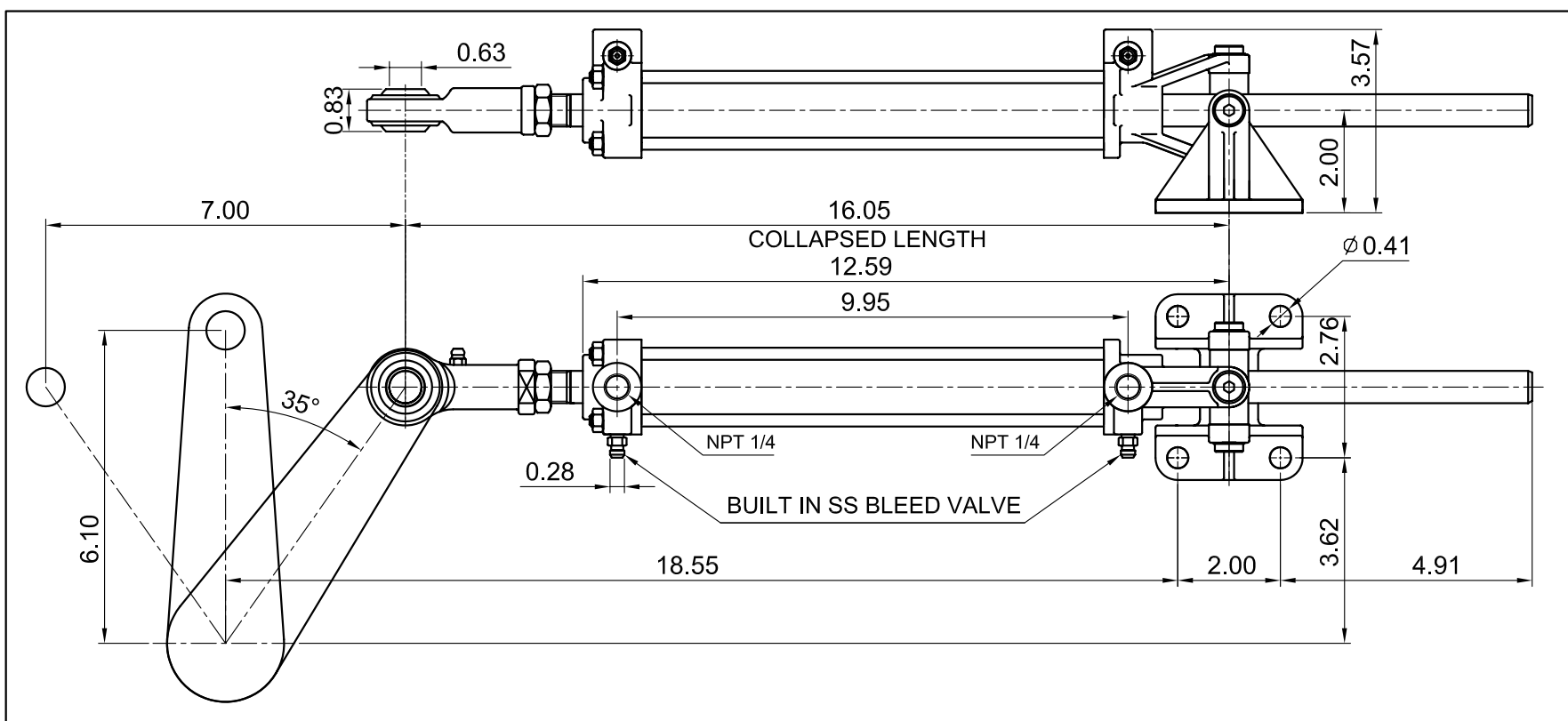


| Model : HC125B-7C | | | | | |
|-------------------|--------|------------|------------------|---------------------------|-----------|
| Torque at 1000psi | 54kg-m | 390 lb.ft | Stroke | 178mm | 7 inch |
| Cylinder Bore | 32mm | 1 1/4 inch | Volume | 107cc | 6.5 cu.in |
| Shaft Diameter | 16mm | 5/8 inch | Shaft Connection | SS Ball Joint (5/8" Hole) | |

Note:SS inserts available for 1/2" & 3/8" Bolts 



Model : HC125B-7C 35°



Model : HC125B-7C 45°

